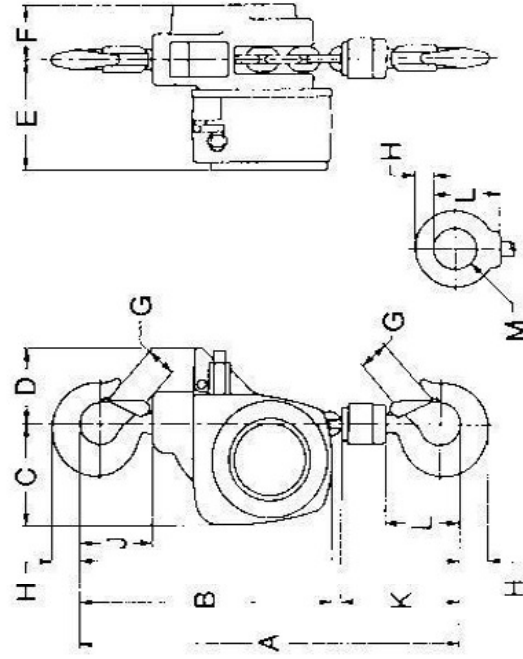
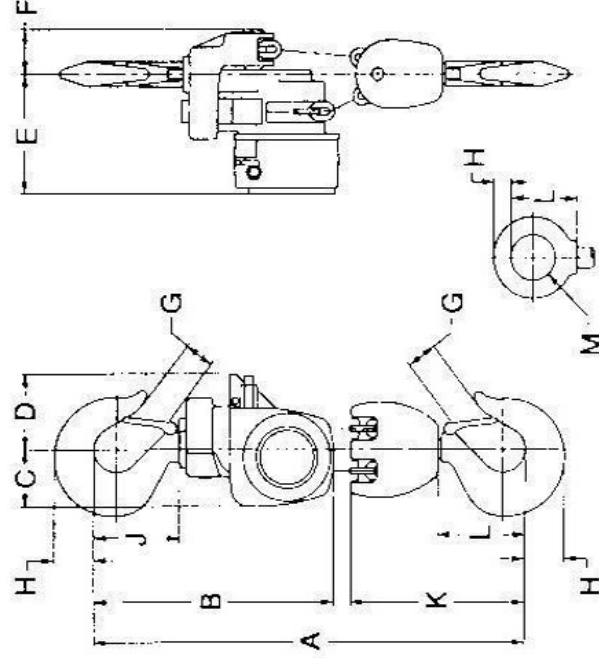


# Outline Dimensions



3,000 and 6,000 lb. Capacity Hoists



9,000 AND 12,000 CAPACITIES

## OUTLINE DIMENSIONS AND SPECIFICATIONS

| Capacity | Parts of Chain |          | A       |          | B       |          | C      | D      | E     | F       | G |
|----------|----------------|----------|---------|----------|---------|----------|--------|--------|-------|---------|---|
|          | Hook           | Load Eye | Hook    | Load Eye | Hook    | Load Eye |        |        |       |         |   |
| 3000#    | 1              | 13 3/4   | 13 1/16 | 10 3/4   | 10 7/16 | 4 1/4    | 3 1/8  | 4 9/16 | 2 3/8 | 1 1/4   |   |
| 6000#    | 2              | 17 5/4   | 17 1/8  | 11 1/16  | 10 7/16 | 4 1/4    | 3 1/8  | 4 9/16 | 2 3/8 | 1 3/16  |   |
| 9000#    | 3              | 20 1/4   | 20 1/8  | 12 1/2   | 12 1/16 | 3 3/16   | 4 3/16 | 6 1/8  | 2 5/8 | 1 3/8   |   |
| 12,000#  | 4              | 22 5/8   | 20 5/8  | 13 1/2   | 12 1/2  | 3 3/16   | 4 3/16 | 6 5/8  | 2 5/8 | 1 11/16 |   |

| Capacity | H      |          | J       |          | K       |          | L       |          | M     |
|----------|--------|----------|---------|----------|---------|----------|---------|----------|-------|
|          | Hook   | Load Eye | Hook    | Load Eye | Hook    | Load Eye | Hook    | Load Eye |       |
| 3000#    | 1 1/8  | 3/4      | 3 1/8   | 2 13/16  | 4 1/2   | 4 3/16   | 3 1/8   | 2 29/32  | 1 3/4 |
| 6000#    | 1 3/8  | 3/4      | 3 1/8   | 2 13/16  | 7 15/16 | 7 5/16   | 3 1/16  | 2 29/32  | 1 1/4 |
| 9000#    | 1 1/2  | 1        | 3 13/16 | 3 3/4    | 8 13/16 | 8 3/4    | 3 13/16 | 3 29/32  | 2 1/2 |
| 12,000#  | 1 3/16 | 1        | 4 1/16  | 3 13/16  | 9 7/8   | 8 7/8    | 4 13/16 | 3 29/32  | 2 1/2 |

Dimensions are in inches